

0.8-1.2t

G3 series rear drive three-wheel counterbalance forklift truck

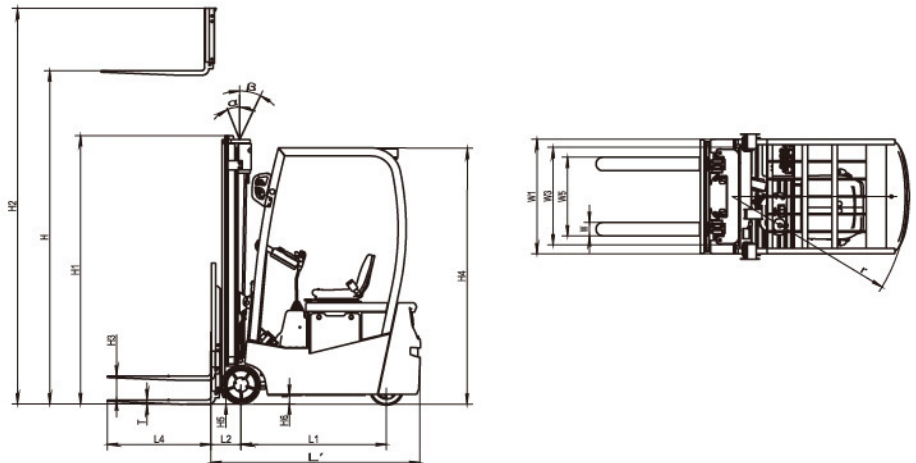
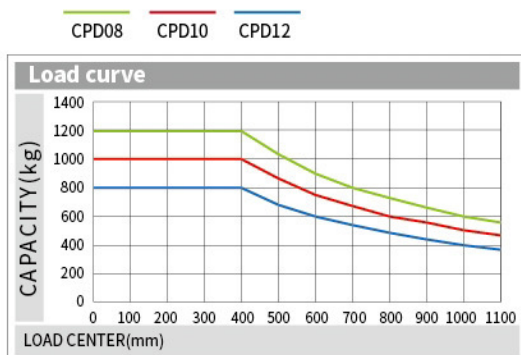


Features

1. The truck features small dimensions, small steering radius and flexible character and it is suitable for handling and stacking in narrow space.
2. With electric steering, the steering of the truck is light and flexible; speed limit during steering ensures truck safety.
3. Integrated operation controls designed according to ergonomic principles are comfortable for operation.
4. The truck adopts CURTIS controller and truck travelling, lifting and steering are controlled by controller.
5. Magnetic brake on driving axle, the truck can automatic parking in slope or flat.

Manufacturer's Data and Design Characteristics

1.01 manufacturer		HELI		
1.02 model		CPD08SH	CPD10SH	CPD12SH
1.03 configuration number			GA1	
1.04 rated capacity	Q (kg)	800	1000	1200
1.05 load center distance	c (mm)	400	400	400
1.06 power mode			Battery	
1.07 driving mode			Seated	
1.08 wheel base	L1 (mm)	980/888	1142/1050	1142/1050
tyre				
2.01 tyre type			Polyurethane	
2.02 wheel number (front/rear)			2/1X	
2.03 front wheel base	W3 (mm)		750	
2.04 tyre(front)		φ285×100	φ285×100	φ285×100
2.05 tyre(rear)		φ250×100	φ250×100	φ250×100
size				
3.01 front overhang	L2 (mm)	225	225	225
3.02 mast tilt angle(front/rear)	a/β (°)	3/5	3/5	3/5
3.03 height with mast retraction	H1 (mm)		1990	
3.04 free lifting height	H3 (mm)		58	
3.05 Max.lifting height	H (mm)	3000	3000	3000
3.06 Height with Mast Extended	H2 (mm)		4016	
3.07 overhead guard height	H4 (mm)		1900	
3.08 fork size: T×W×L	T×W×L4(mm)		32x100x770	
3.09 fork arm carrier DIN standard			2A	
3.10 truck body length(fork excluded)	L' (mm)	1363	1525	1525
3.11 truck body width	W1 (mm)	850	850	850
3.12 turning radius	r (mm)	1138	1300	1300
3.13 clearance between mast and ground	H5 (mm)	85	85	85
3.14 clearance between wheel base center and ground(loaded)	H6 (mm)	65	65	65
performance				
4.01 travelling speed:loaded/unloaded	km/h	6.5/8	6.5/8	6.5/8
4.02 lifting speed:loaded/unloaded	mm/s	150/220	145/220	145/220
4.03 lowering speed: loaded/unloaded	mm/s	400/500	400/500	400/500
4.04 gradeability(loaded)	%	12	10	8
weight				
5.01 total weight(with battery)	kg	1600	1750	1930
battery				
6.01 battery voltage/capacity K5	V/Ah	24v/240Ah	24v/360Ah	24v/480Ah
motor & controller				
7.01 drive motor power - 60 minutes	kW		2.6	
7.02 lifting motor power-S3 15%	kW		3	
7.03 steering motor power	kW		0.6	



* Our products are subject to Improvements and changes without notice.



ANHUI HELI CO., LTD.
 Add / No.668, FangXing Road, Hefei, China
 Fax / +86-551-63639966

Tel / +86-551-63639068(America); 63639258(Europe);
 63639358(Asia); 63662105(Africa & Middle East);
 63639530(Key Accounts Division); 63662105(Wheel loader)