

Option Table		
Project		Configuration
Intelligent Security	Electro-hydraulic directional transmission	●
	Full set of OPS	○
	Stamping special-shaped overhead guard	●
	Tilt cylinder self-locking valve	●
	Heli intelligent fleet management system	○
	Foldback prefilter	○
	main power switch	○
	Fuel tank cap with lock	●
	Fire extinguisher	○
	Full suspension seat	○
Comfort & Convenience	Suspended overhead guard	●
	Descent buffer	●
	Front and rear adjustable steering column	●
	Reversing horn handle	○
	USB interface	○
	Instrument identification	○
	Electric fan	○
	Reversing voice horn	○
	Meet the latest emission power (National IV/National III)	●
	Load-sensing steering	●
	Full LCD instrument	●
	High exhaust	●
	Cab	Front windshield
Rear windshield		○
Overhead guard		●
Integral cab		○
Integral cab (installed with heater)		○
Integral cab (installed with heater & cooling air conditioner)		○
Integral cab (installed with cooling air conditioner)		○

Option Table		
Project		Configuration
Lamplight	LED lights	●
	LED rear working lights (2 pcs)	○
	Warning light (rotating)	○
	Warning light (rotating buzzer)	○
	Warning light (flashing)	○
	Blue light	○
	Lifting System	Basic mast
Full free mast (2-stage or 3-stage)		○
Non-standard attachments		○
Mast height		○
Other	Fork arm carrier	○
	Load-backrest	○
	Metric thread	●
	American standard thread	○
	Solid tire	○
	Tilt cylinder sheath	○
	Steering cylinder sheath	●
Universal key	○	
Customized colors	○	

Note: Standard ●; Optional ○.

CPCD 20/25/30/35

W11Y2G3 2WD / W12Y2G3 2WD / Q1Y2G3 2WD / Q2Y2G3 2WD / KU1Y2G3 2WD
 XC4Y2G3 2WD / XC5Y2G3 2WD / XC6Y2G3 2WD / XC7Z1Y2G3 2WD
 XC3Y2G3 2WD / XC7Z2Y2G3 2WD / W3Y2G3 2WD / W4Y2G3 2WD / KU5Y2G3 2WD
 XC3Y4G3 4WD / XC7Z2Y4G3 4WD / W3Y4G3 4WD / W4Y4G3 2WD / KU5Y4G3 4WD
 YMZ3Y4G3 4WD / KU5Z3Y4G3 4WD / W3Y4Z3G3 4WD / XC7Z3Y4G3 4WD



2-3,5 t

Vysokozdvížený vozík série G3 se spalovacím motorem a protizávažím pro těžké terény



ANHUI HELI CO., LTD.

Add / No.668, FangXing Road, Hefei, China
 Fax / +86-551-63639966
 Tel / +86-551-63639068(America); 63639258(Europe);
 63639358(Asia); 63662105(Africa & Middle East)



LinkedIn



YouTube



Facebook



*Rough Terrain
Forklift Truck*



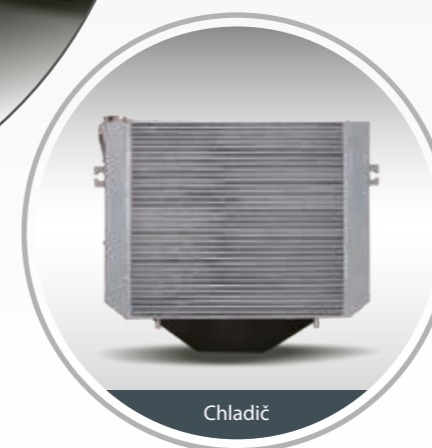
Terénní pneumatiky se širokou základnou a výrazným dezénem

ŠPIČKOVÝ DESIGN

- Moderní a estetický
- Stabilní a spolehlivý výkon
- Pohon dvou nebo čtyřech kol, terénní pneumatiky
- Široké využití na polích, farmách, sadech a dalších náročných terénech

Výkonný a efektivní

- Vícepolohová převodovka s flexibilním připojením
- Pohon dvou nebo všech čtyřech kol, energeticky úsporný a vysoce účinný
- Flexibilně připojená hnací náprava s vysokým umístěním
- Výrazně vylepšený hydraulický systém pro jízdu v terénu s ventilem snímajícím zatížení, vyšší rychlost zdvihu
- Lehký stožár, rozšířený rám a horní nosník optimalizované konstrukce s vysokou nosností



Chladič

Stabilní a spolehlivý

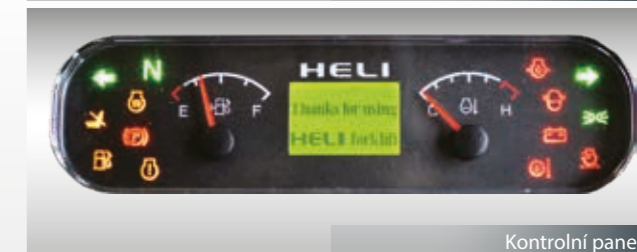
- Terénní pneumatiky se širokou základnou a výrazným dezénem
- Vylepšená struktura chladiče, optimalizovaný chladicí systém, lepší odvod tepla



Pedálový mechanismus



Systém zdvihu



Kontrolní panel

- Systém snímání polohy, který účinně zabráňuje chybné obsluze
- Optimalizovaný systém hnacího vedení, větší světlá výška, nižší těžiště, lepší stabilita a jízda
- Optimalizace pedálového mechanismu: krokový pedál je připojen přímo ke krokovému ventilu
- Digitální displej LCD Ip65
- Těsnicí struktura 24 kuželové pryžové hadice, přidán těsnicí kroužek typu O, lepší těsnicí účinek

Skvělý zážitek z jízdy

Trojité odpružená konstrukce



Široký stožár

Více prostoru pro nohy



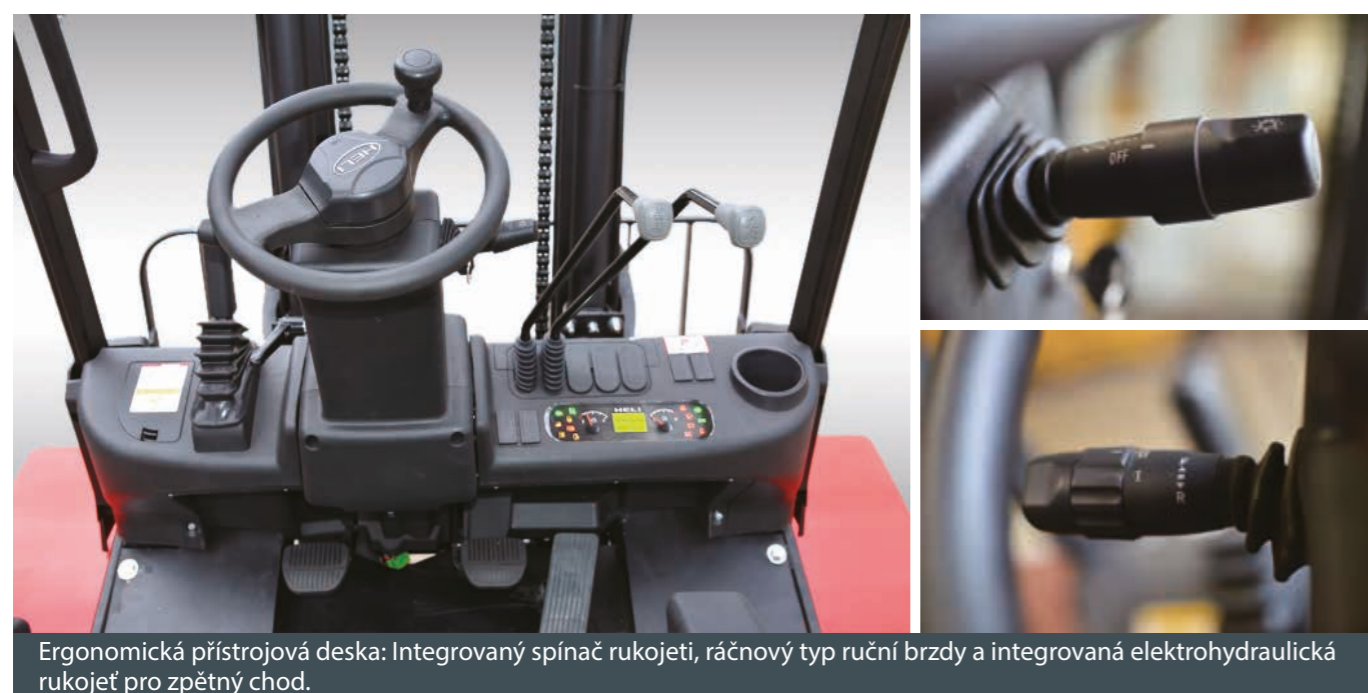
Horní ochranný kryt



Konstrukce s vysokým výfukem



Stožár s funkcí vyrovnávání při poklesu



Ergonomická přístrojová deska: Integrovaný spínač rukojeti, ráčnový typ ruční brzdy a integrovaná elektrohydraulická rukojeť pro zpětný chod.

Snadná údržba



LED světla, účinná, dlouhá životnost, bez údržby



Modulární elektrická skříň s vysokým stupněm krytí



Kryt motoru s velkým úhlem otevření, velký prostor pro údržbu

Manufacturer and Technical Data (2-3.5t Standard Dual Drive)

Characteristics						
1.01	Manufacturer	HELI				
1.02	Model		CPCD20	CPCD25	CPCD30	CPCD35
1.03	Rated capacity	kg	2000	2500	3000	3500
1.04	Load center distance	mm	500	500	500	500
1.05	Power mode		Diesel	Diesel	Diesel	Diesel
1.06	Driving mode		Seat-type	Seat-type	Seat-type	Seat-type
Weight						
2.01	Total weight	kg	4500	4700	4950	5150
Tyres						
3.01	Tyre type		Tubeless tyre	Tubeless tyre	Tubeless tyre	Tubeless tyre
3.02	Wheel numbers front/rear(x=driven wheels)		2x/2	2x/2	2x/2	2x/2
3.03	Tyre size,front		14-17.5-16TL	14-17.5-16TL	14-17.5-16TL	14-17.5-16TL
3.04	Tyre size,rear		10-16.5-10TL	10-16.5-10TL	10-16.5-10TL	10-16.5-10TL
Dimensions						
4.01	Lifting height	H	mm	3000	3000	3000
4.02	Mast height(fork to the ground,vertical mast)	H1	mm	2265	2265	2265
4.03	Max.height,extended(with backrest)	H2	mm	4055	4055	4200
4.04	Free lifting height	H3	mm	160	160	160
4.05	Height of overhead guard	H4	mm	2420	2420	2420
4.06	Min.ground clearance	H5	mm	290	290	290
4.07	Height of backrest	H13	mm	1010	1010	1155
4.08	Overall length(with/without fork)	L/L'	mm	4210/3140	4210/3140	4214/3144
4.09	Wheel base	L1	mm	2000	2000	2000
4.10	Front overhang	L2	mm	580	580	584
4.11	Rear overhang	L3	mm	560	560	600
4.12	Overall width	W1	mm	1640	1640	1640
4.13	Track width(front/rear)	W3	mm	1230/1280	1230/1280	1230/1280
4.14	Adjustmentrange offork(outside fork Max/Min)	W5	mm	1345/250	1345/250	1395/250
4.15	Min.outside turning,radius	r	mm	3400	3400	3450
4.16	Mast tilt angle(forward/backward)	α/β	°	10°/12°	10°/12°	10°/12°
4.17	Fork size:thickness*width*length	TxWxL4	mm	40x122x1070	40x122x1070	45x125x1070
4.18	Min.right-angle aisle width	Ra	mm	3300	3300	3350
Performance						
5.01	Travel speed(landen/unladen)		km/h	18/18	18/18	18/18
5.02	Lift speed(landen/unladen)		mm/s	480/520	480/520	480/520
5.03	Lowering speed(landen/unladen)		mm/s	370/350	370/350	370/350
5.04	Max.drawbar pull(landen)		kN	18	18	18
5.05	Max.gradeability(landen)		%	24	22	20
Drive System						
6.01	Transmission gears(front/rear)			1-1 Power Shife M/T		

Engine (2-3.5t Standard Dual Drive)

Engine manufacture/Model		ISUZU 4JG2PE-01	ISUZUGK-4JG2NKF01	QUANCHAI4C4-50V31	QUANCHAI V32-50C42	XINCHAI A498BPG	XINCHAI 4D32X41	XINCHAI 3E22YG51	KUBOTA V2403-CR-TE5B
Rated power/speed	kW/rpm	44.9/2450	35/2450	36.8/2500	36.8/2500	45/2500	36.8/2500	44.8/2400	42.6/2400
Max.torque/speed	Nm/rpm	186.3/1600-1800	170/1700	185/1800	200/1500-1800	193/1800	210/1600-1800	210/1600-1800	195.6/1500
Cylinder number-bore*stroke	/L	4-95.4x107/3.059	4-95.4x107/3.059	4-98x105/2.98	4-98x105/3.17	4-98x105/3.17	4-98x105/3.17	3-94x107/2.23	4-87x102.4/2.434
Emission		China Stage II	China Stage III	China Stage III	China Stage IV	China Stage II	China Stage IV	EU Stage V	EU Stage V/EPA IV

Manufacturer and Technical Data (2-3.5t Hight performance 4-wheel Drive)

Characteristics						
1.01	Manufacturer	HELI				
1.02	Model		CPCD20	CPCD25	CPCD30	CPCD35
1.03	Rated capacity	kg	2000	2500	3000	3500
1.04	Load center distance	mm	500	500	500	500
1.05	Power mode		Diesel	Diesel	Diesel	Diesel
1.06	Driving mode		Seat-type	Seat-type	Seat-type	Seat-type
Weight						
2.01	Total weight	kg	4900	5150	5400	5600
Tyres						
3.01	Tyre type		Tubeless tyre	Tubeless tyre	Tubeless tyre	Tubeless tyre
3.02	Wheel numbers front/rear(x=driven wheels)		2x/2	2x/2	2x/2	2x/2
3.03	Tyre size,front		14-17.5-16TL	14-17.5-16TL	14-17.5-16TL	14-17.5-16TL
3.04	Tyre size,rear		10-16.5-10TL	10-16.5-10TL	10-16.5-10TL	10-16.5-10TL
Dimensions						
4.01	Lifting height	H	mm	3000	3000	3000
4.02	Mast height(fork to the ground,vertical mast)	H1	mm	2265	2265	2265
4.03	Max.height,extended(with backrest)	H2	mm	4055	4055	4200
4.04	Free lifting height	H3	mm	160	160	160
4.05	Height of overhead guard	H4	mm	2420	2420	2420
4.06	Min.ground clearance	H5	mm	290	290	290
4.07	Height of backrest	H13	mm	1010	1010	1155
4.08	Overall length(with/without fork)	L/L'	mm	4210/3140	4210/3140	4214/3144
4.09	Wheel base	L1	mm	2000	2000	2000
4.10	Front overhang	L2	mm	580	580	584
4.11	Rear overhang	L3	mm	560	560	600
4.12	Overall width	W1	mm	1640	1640	1640
4.13	Track width(front/rear)	W3	mm	1250/1280	1250/1280	1250/1280
4.14	Adjustmentrange offork(outside fork Max/Min)	W5	mm	1345/250	1345/250	1395/250
4.15	Min.outside turning,radius	r	mm	3450	3450	3500
4.16	Mast tilt angle(forward/backward)	α/β	°	10°/12°	10°/12°	10°/12°
4.17	Fork size:thickness*width*length	TxWxL4	mm	40x122x1070	40x122x1070	45x125x1070
4.18	Min.right-angle aisle width	Ra	mm	3350	3350	3400
Performance						
5.01	Travel speed(landen/unladen)		km/h	26/28	26/28	26/28
5.02	Lift speed(landen/unladen)		mm/s	480/520	480/520	480/520
5.03	Lowering speed(landen/unladen)		mm/s	370/350	370/350	370/350
5.04	Max.drawbar pull(landen)		kN	52	52	52
5.05	Max.gradeability(landen)		%	68	64	60
Drive System						
6.01	Transmission gears(front/rear)			3-3 Power Shife M/T		

Engine (2-3.5t Hight performance 4-wheel Drive)

Engine manufacture/Model		ISUZU 4JG2PE-01	ISUZUGK-4JG2NKF01	XINCHAI 4D32X41	XINCHAI 3E22YG51	KUBOTA V2403-CR-TE5B	YANMAR 4TNE98
Rated power/speed	kW/rpm	44.9/2450	35/2450	36.8/2500	44.8/2400	42.6/2400	42.1/2300
Max.torque/speed	Nm/rpm	186.3/1600-1800	170/1700	210/1600-1800	210/1600-1800	195.6/1500	177.6-196.3/1600
Cylinder number-bore*stroke	/L	4-95.4x107/3.059	4-95.4x107/3.059	4-98x105/3.17	3-94x107/2.23	4-87x102.4/2.434	4-98x110/3.32
Emission		China Stage II	China Stage III	China Stage IV	EU Stage V	EU Stage V/EPA IV	China Stage III

Manufacturer and Technical Data (2-2.5t Hight performance Dual Drive)

Manufacturer and Technical Data (2-2.5t Hight performance Dual Drive)						
Characteristics						
1.01	Manufacturer	HELI				
1.02	Model		CPCD20		CPCD25	
1.03	Rated capacity		kg	2000		2500
1.04	Load center distance		mm	500		500
1.05	Power mode			Diesel		Diesel
1.06	Driving mode			Seat-type		Seat-type
Weight						
2.01	Total weight		kg	4600		4850
Tyres						
3.01	Tyre type			Tubeless tyre		Tubeless tyre
3.02	Wheel numbers front/rear(x=driven wheels)			2x/2		2X/2
3.03	Tyre size,front			14-17.5-16TL		14-17.5-16TL
3.04	Tyre size,rear			10-16.5-10TL		10-16.5-10TL
Dimensions						
4.01	Lifting heigeh	H	mm	3000		3000
4.02	Mast height(fork to the ground,vertical mast)	H1	mm	2265		2265
4.03	Max.height,extended(with backrest)	H2	mm	4055		4055
4.04	Free lifting height	H3	mm	160		160
4.05	Height of overhead guard	H4	mm	2420		2420
4.06	Min.ground clearance	H5	mm	290		290
4.07	Height of backrest	H13	mm	1010		1010
4.08	Overall length(with/without fork)	L/L'	mm	4210/3140		4210/3140
4.09	Wheel base	L1	mm	2000		2000
4.10	Front overhang	L2	mm	580		580
4.11	Rear overhang	L3	mm	560		560
4.12	Overall width	W1	mm	1640		1640
4.13	Track width(front/rear)	W3	mm	1250/1280		1250/1280
4.14	Adjustmentrange offork(outside fork Max/Min)	W5	mm	1345/250		1345/250
4.15	Min.outside turning,radius	r	mm	3400		3400
4.16	Mast tilt angle(forward/backward)	α/β	°	10°/12°		10°/12°
4.17	Fork size:thickness*width*length	TxWxL4	mm	40x122x1070		40x122x1070
4.18	Min.right-angle aisle width	Ra	mm	3300		3300
Performance						
5.01	Travel speed(landen/unladen)		km/h	20/20		20/20
5.02	Lift speed(landen/unladen)		mm/s	480/520		480/520
5.03	Lowering speed(landen/unladen)		mm/s	370/350		370/350
5.04	Max.drawbar pull(landen)		kN	38		38
5.05	Max.gradeability(landen)		%	50		46
Drive System						
6.01	Transmission gears(front/rear)			2-1 Power Shife M/T		

Engine (2-2.5t Hight performance Dual Drive)

Engine (2-2.5t Hight performance Dual Drive)							
Engine manufacture/Model		ISUZU 4JG2PE-01	ISUZUGK-4JG2NKFC01	XINCHAI 4D32X41	XINCHAI 3E22YG51	KUBOTA V2403-CR-TE5B	YANMAR 4TNE98
Rated power/speed	kW/rpm	44.9/2450	35/2450	36.8/2500	44.8/2400	42.6/2400	42.1/2300
Max.torque/speed	Nm/rpm	186.3/1600-1800	170/1700	210/1600-1800	210/1600-1800	195.6/1500	177.6-196.3/1600
Cylinder number-bore*stroke	/L	4-95.4x107/3.059	4-95.4x107/3.059	4-98x105/3.17	3-94x107/2.23	4-87x102.4/2.434	4-98x110/3.32
Emission		China Stage II	China Stage III	China Stage IV	EU Stage V	EU Stage V /EPA IV	China Stage III

Manufacturer and Technical Data (3-3.5t Hight performance Dual Drive)

Manufacturer and Technical Data (3-3.5t Hight performance Dual Drive)						
Characteristics						
1.01	Manufacturer	HELI				
1.02	Model		CPCD30		CPCD35	
1.03	Rated capacity		kg	3000		3500
1.04	Load center distance		mm	500		500
1.05	Power mode			Diesel		Diesel
1.06	Driving mode			Seat-type		Seat-type
Weight						
2.01	Total weight		kg	5100		5300
Tyres						
3.01	Tyre type			Tubeless tyre		Tubeless tyre
3.02	Wheel numbers front/rear(x=driven wheels)			2x/2		2X/2
3.03	Tyre size,front			14-17.5-16TL		14-17.5-16TL
3.04	Tyre size,rear			10-16.5-10TL		10-16.5-10TL
Dimensions						
4.01	Lifting heigeh	H	mm	3000		3000
4.02	Mast height(fork to the ground,vertical mast)	H1	mm	2265		2265
4.03	Max.height,extended(with backrest)	H2	mm	4200		4200
4.04	Free lifting height	H3	mm	160		160
4.05	Height of overhead guard	H4	mm	2420		2420
4.06	Min.ground clearance	H5	mm	290		290
4.07	Height of backrest	H13	mm	1155		1155
4.08	Overall length(with/without fork)	L/L'	mm	4214/3144		4254/3184
4.09	Wheel base	L1	mm	2000		2000
4.10	Front overhang	L2	mm	584		584
4.11	Rear overhang	L3	mm	560		600
4.12	Overall width	W1	mm	1640		1640
4.13	Track width(front/rear)	W3	mm	1250/1280		1250/1280
4.14	Adjustmentrange offork(outside fork Max/Min)	W5	mm	1395/250		1395/250
4.15	Min.outside turning,radius	r	mm	3400		3450
4.16	Mast tilt angle(forward/backward)	α/β	°	10°/12°		10°/12°
4.17	Fork size:thickness*width*length	TxWxL4	mm	45x125x1070		50x125x1070
4.18	Min.right-angle aisle width	Ra	mm	3300		3350
Performance						
5.01	Travel speed(landen/unladen)		km/h	20/20		20/20
5.02	Lift speed(landen/unladen)		mm/s	480/520		480/520
5.03	Lowering speed(landen/unladen)		mm/s	370/350		370/350
5.04	Max.drawbar pull(landen)		kN	38		38
5.05	Max.gradeability(landen)		%	40		36
Drive System						
6.01	Transmission gears(front/rear)			2-1 Power Shife M/T		

Engine (3-3.5t Hight performance Dual Drive)

Engine (3-3.5t Hight performance Dual Drive)							
Engine manufacture/Model		ISUZU 4JG2PE-01	ISUZUGK-4JG2NKFC01	XINCHAI 4D32X41	XINCHAI 3E22YG51	KUBOTA V2403-CR-TE5B	YANMAR 4TNE98
Rated power/speed	kW/rpm	44.9/2450	35/2450	36.8/2500	44.8/2400	42.6/2400	42.1/2300
Max.torque/speed	Nm/rpm	186.3/1600-1800	170/1700	210/1600-1800	210/1600-1800	195.6/1500	177.6-196.3/1600
Cylinder number-bore*stroke	/L	4-95.4x107/3.059	4-95.4x107/3.059	4-98x105/3.17	3-94x107/2.23	4-87x102.4/2.434	4-98x110/3.32
Emission		China Stage II	China Stage III	China Stage IV	EU Stage V	EU Stage V /EPA IV	China Stage III

Manufacturer and Technical Data (2-2.5t Standard 4-wheel Drive)

Manufacturer and Technical Data (2-2.5t Standard 4-wheel Drive)						
Characteristics						
1.01	Manufacturer	HELI				
1.02	Model			CPCD20		CPCD25
1.03	Rated capacity		kg	2000		2500
1.04	Load center distance		mm	500		500
1.05	Power mode			Diesel		Diesel
1.06	Driving mode			Seat-type		Seat-type
Weight						
2.01	Total weight		kg	4800		5050
Tyres						
3.01	Tyre type			Tubeless tyre		Tubeless tyre
3.02	Wheel numbers front/rear(x=driven wheels)			2x/2		2X/2
3.03	Tyre size,front			14-17.5-16TL		14-17.5-16TL
3.04	Tyre size,rear			10-16.5-10TL		10-16.5-10TL
Dimensions						
4.01	Lifting heigeh	H	mm	3000		3000
4.02	Mast height(fork to the ground,vertical mast)	H1	mm	2265		2265
4.03	Max.height,extended(with backrest)	H2	mm	4055		4055
4.04	Free lifting height	H3	mm	160		160
4.05	Height of overhead guard	H4	mm	2420		2420
4.06	Min.ground clearance	H5	mm	290		290
4.07	Height of backrest	H13	mm	1010		1010
4.08	Overall length(with/without fork)	L/L'	mm	4210/3140		4210/3140
4.09	Wheel base	L1	mm	2000		2000
4.10	Front overhang	L2	mm	580		580
4.11	Rear overhang	L3	mm	560		560
4.12	Overall width	W1	mm	1640		1640
4.13	Track width(front/rear)	W3	mm	1250/1280		1250/1280
4.14	Adjustmentrange offork(outside fork Max/Min)	W5	mm	1395/250		1395/250
4.15	Min.outside turning,radius	r	mm	3450		3450
4.16	Mast tilt angle(forward/backward)	α/β	°	10°/12°		10°/12°
4.17	Fork size:thickness*width*length	TxWxL4	mm	40x122x1070		40x122x1070
4.18	Min.right-angle aisle width	Ra	mm	3350		3350
Performance						
5.01	Travel speed(landen/unladen)		km/h	20/20		20/20
5.02	Lift speed(landen/unladen)		mm/s	480/520		480/520
5.03	Lowering speed(landen/unladen)		mm/s	370/350		370/350
5.04	Max.drawbar pull(landen)		kN	38		38
5.05	Max.gradeability(landen)		%	50		46
Drive System						
6.01	Transmission gears(front/rear)			2-1 Power Shife M/T		

Engine (2-2.5t Standard 4-wheel Drive)

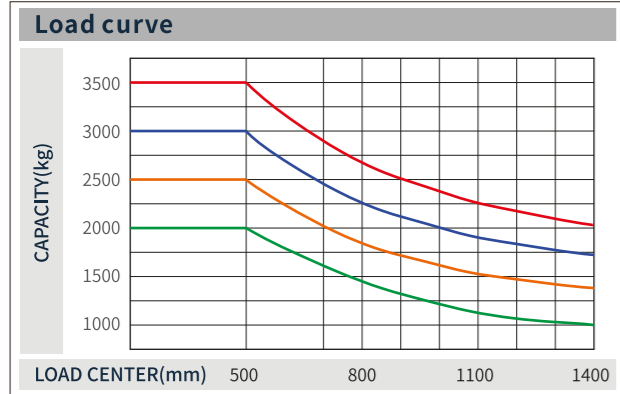
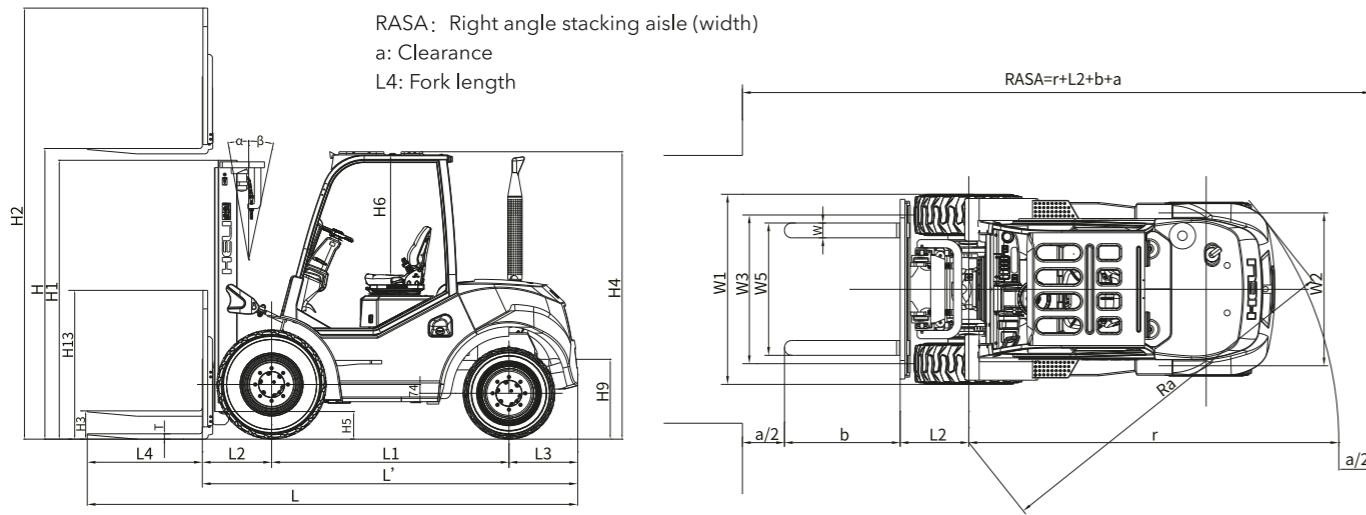
Engine manufacture/Model		ISUZU 4JG2PE-01	ISUZUGK-4JG2NKF01	XINCHAI 4D32X41	XINCHAI 3E22YG51	KUBOTA V2403-CR-TE5B	YANMAR 4TNE98
Rated power/speed	kW/rpm	44.9/2450	35/2450	36.8/2500	44.8/2400	42.6/2400	42.1/2300
Max.torque/speed	Nm/rpm	186.3/1600-1800	170/1700	210/1600-1800	210/1600-1800	195.6/1500	177.6-196.3/1600
Cylinder number-bore*stroke	/L	4-95.4x107/3.059	4-95.4x107/3.059	4-98x105/3.17	3-94x107/2.23	4-87x102.4/2.434	4-98x110/3.32
Emission		China Stage II	China Stage III	China Stage IV	EU Stage V	EU Stage V /EPA IV	China Stage III

Manufacturer and Technical Data (3-3.5t Standard 4-wheel Drive)

Manufacturer and Technical Data (3-3.5t Standard 4-wheel Drive)						
Characteristics						
1.01	Manufacturer	HELI				
1.02	Model			CPCD30		CPCD35
1.03	Rated capacity		kg	3000		3500
1.04	Load center distance		mm	500		500
1.05	Power mode			Diesel		Diesel
1.06	Driving mode			Seat-type		Seat-type
Weight						
2.01	Total weight		kg	5300		5500
Tyres						
3.01	Tyre type			Tubeless tyre		Tubeless tyre
3.02	Wheel numbers front/rear(x=driven wheels)			2x/2		2X/2
3.03	Tyre size,front			14-17.5-16TL		14-17.5-16TL
3.04	Tyre size,rear			10-16.5-10TL		10-16.5-10TL
Dimensions						
4.01	Lifting heigeh	H	mm	3000		3000
4.02	Mast height(fork to the ground,vertical mast)	H1	mm	2265		2265
4.03	Max.height,extended(with backrest)	H2	mm	4200		4200
4.04	Free lifting height	H3	mm	160		160
4.05	Height of overhead guard	H4	mm	2420		2420
4.06	Min.ground clearance	H5	mm	290		290
4.07	Height of backrest	H13	mm	1155		1155
4.08	Overall length(with/without fork)	L/L'	mm	4214/3144		4254/3184
4.09	Wheel base	L1	mm	2000		2000
4.10	Front overhang	L2	mm	584		584
4.11	Rear overhang	L3	mm	560		600
4.12	Overall width	W1	mm	1640		1640
4.13	Track width(front/rear)	W3	mm	1250/1280		1250/1280
4.14	Adjustmentrange offork(outside fork Max/Min)	W5	mm	1395/250		1395/250
4.15	Min.outside turning,radius	r	mm	3450		3500
4.16	Mast tilt angle(forward/backward)	α/β	°	10°/12°		10°/12°
4.17	Fork size:thickness*width*length	TxWxL4	mm	45x125x1070		50x125x1070
4.18	Min.right-angle aisle width	Ra	mm	3350		3400
Performance						
5.01	Travel speed(landen/unladen)		km/h	20/20		20/20
5.02	Lift speed(landen/unladen)		mm/s	480/520		480/520
5.03	Lowering speed(landen/unladen)		mm/s	370/350		370/350
5.04	Max.drawbar pull(landen)		kN	38		38
5.05	Max.gradeability(landen)		%	40		36
Drive System						
6.01	Transmission gears(front/rear)			2-1 Power Shife M/T		

Engine (3-3.5t Standard 4-wheel Drive)

Engine manufacture/Model		ISUZU 4JG2PE-01	ISUZUGK-4JG2NKF01	XINCHAI 4D32X41	XINCHAI 3E22YG51	KUBOTA V2403-CR-TE5B	YANMAR 4TNE98
Rated power/speed	kW/rpm	44.9/2450	35/2450	36.8/2500	44.8/2400	42.6/2400	42.1/2300
Max.torque/speed	Nm/rpm	186.3/1600-1800	170/1700	210/1600-1800	210/1600-1800	195.6/1500	177.6-196.3/1600
Cylinder number-bore*stroke	/L	4-95.4x107/3.059	4-95.4x107/3.059	4-98x105/3.17	3-94x107/2.23	4-87x102.4/2.434	4-98x110/3.32
Emission		China Stage II	China Stage III	China Stage IV	EU Stage V	EU Stage V /EPA IV	China Stage III



Note: The vertical axis stands for load capacity while the horizontal axis stands for load center which is calculated from the front surface of the forks to the gravity of the standard load. The standard load means a cubic with 1000mm edge length. When the mast is tilted forward, the worker using nonstandard forks for loading large goods, the load capacity will be reduced. The load capacity of standard mast at different load center can be known from this load chart.

Wide View Standard Mast

Mast model	Max. lifting height (mm)	Load capacity (load center is 500mm)(Kg)				Lowered mast height (mm)	Extended mast height (with backrest) (mm)		Free lift height (mm)	Service weight(kg)				Mast tilting angle (α/β) (deg.)
		CPCD20	CPCD25	CPCD30	CPCD35		2-2.5t	3-3.5t		CPCD20	CPCD25	CPCD30	CPCD35	
M200	2000	2000	2500	3000	3500	1765	3055	3200	150	4500	4750	5000	5200	10°/12°
M250	2500	2000	2500	3000	3500	2015	3555	3700	150	4560	4810	5060	5260	10°/12°
M270	2700	2000	2500	3000	3500	2115	3755	3900	150	4580	4830	5080	5280	10°/12°
M300	3000	2000	2500	3000	3500	2265	4055	4200	150	4600	4850	5100	5300	10°/12°
M330	3300	2000	2500	3000	3500	2415	4355	4500	150	4660	4910	5160	5360	10°/12°
M350	3500	2000	2500	3000	3500	2515	4555	4700	150	4680	4930	5180	5380	10°/12°
M370	3700	2000	2500	3000	3500	2615	4755	4900	150	4690	4940	5190	5390	10°/12°
M400	4000	2000	2500	3000	3500	2815	5055	5200	150	4760	5010	5260	5460	10°/6°
M425	4250	1950	2200	2900	3500	2940	5305	5450	150	4780	5030	5280	5480	10°/6°
M450	4500	1850	2000	2900	3400	3065	5555	5700	150	4790	5040	5290	5490	10°/6°
M475	4750	1600	1800	2850	3350	3190	5805	5950	150	4840	5090	5340	5540	10°/6°
M500	5000	1500	1700	2600	3100	3315	6055	6200	150	4880	5130	5380	5580	5°/6°
M550	5500	1350	1450	2400	2900	3615	6555	6700	150	4970	5220	5470	5670	5°/6°
M600	6000	1200	1300	2000	2500	3865	7055	7200	150	5020	5270	5520	5720	5°/6°

Wide View Full Free 2-stage Mast

Mast model	Max. lifting height (mm)	Load capacity (load center is 500mm)(Kg)				Lowered mast height (mm)	Extended mast height (with backrest) (mm)		Free lift height (mm)	Service weight(kg)				Mast tilting angle (α/β) (deg.)
		CPCD20	CPCD25	CPCD30	CPCD35		2-2.5t	3-3.5t		CPCD20	CPCD25	CPCD30	CPCD35	
ZM200	2000	2000	2500	3000	3500	1765	3055	3200	565	4520	4770	5020	5220	10°/12°
ZM250	2500	2000	2500	3000	3500	2015	3555	3700	815	4580	4830	5080	5280	10°/12°
ZM270	2700	2000	2500	3000	3500	2115	3755	3800	915	4600	4850	5100	5300	10°/12°
ZM300	3000	2000	2500	3000	3500	2265	4055	4200	1065	4620	4870	5120	5320	10°/12°
ZM330	3300	2000	2500	3000	3500	2415	4355	4500	1215	4680	4930	5180	5380	10°/12°
ZM350	3500	2000	2500	3000	3500	2515	4555	4700	1315	4700	4950	5200	5400	10°/12°
ZM370	3700	2000	2500	3000	3500	2615	4755	4900	1415	4710	4960	5210	5410	10°/12°
ZM400	4000	2000	2500	3000	3500	2815	5055	5200	1615	4780	5030	5280	5480	10°/6°
ZM425	4250	1950	2200	2900	3500	2940	5305	5450	1740	4800	5050	5300	5500	10°/6°
ZM450	4500	1850	2000	2900	3400	3065	5555	5700	1865	4810	5060	5310	5510	10°/6°
ZM475	4750	1600	1800	2850	3350	3190	5805	5950	1990	4860	5110	5360	5560	10°/6°
ZM500	5000	1500	1700	2600	3100	3315	6055	6200	2115	4900	5150	5400	5600	5°/6°
ZM550	5500	1300	1400	2400	2900	3615	6555	6700	2415	4990	5240	5490	5690	5°/6°
ZM600	6000	1100	1200	2000	2500	3865	7055	7200	2665	5040	5290	5540	5740	5°/6°

Wide View Full Free 3-stage Mast

Mast model	Max. lifting height (mm)	Load capacity (load center is 500mm)(Kg)				Lowered mast height (mm)	Extended mast height (with backrest) (mm)		Free lift height (mm)	Service weight(kg)				Mast tilting angle (α/β) (deg.)
		CPCD20	CPCD25	CPCD30	CPCD35		2-2.5t	3-3.5t		CPCD20	CPCD25	CPCD30	CPCD35	
ZSM360	3600	1900	2400	2800	3300	2015	4655	4800	815	4680	4930	5180	5390	10°/6°
ZSM400	4000	1900	2400	2800	3300	2165	5055	5200	965	4730	4980	5230	5430	10°/6°
ZSM435	4350	1900	2300	2800	3300	2265	5405	5550	1065	4800	5050	5300	5510	10°/6°
ZSM450	4500	1850	2150	2700	3200	2315	5555	5700	1115	4830	5080	5330	5540	10°/6°
ZSM470	4700	1750	1900	2500	3000	2375	5755	5900	1175	4850	5100	5350	5560	10°/6°
ZSM480	4800	1750	1900	2500	3000	2415	5855	6000	1215	4900	5150	5400	5610	10°/6°
ZSM500	5000	1600	1800	2400	2900	2515	6055	6200	1315	4970	5220	5470	5670	5°/6°
ZSM550	5500	1300	1500	2100	2900	2615	6455	6600	1415	5070	5320	5570	5770	5°/6°
ZSM600	6000	1000	1150	1750	2250	2815	7055	7200	1615	5130	5380	5630	5830	5°/6°

